

# UD1800CS

2006 MODEL YEAR



# TRUCKS

Distributed by

Nissan Diesel America, Inc.

## WHEELBASES

	D	F	G	H	L
GVWR (lb.)	17,995	17,995	17,995	17,995	17,995
Chassis Weight (lb.)	6,415	6,480	6,535	6,600	6,725
Front (lb.)	4,310	4,330	4,365	4,385	4,430
Rear (lb.)	2,105	2,150	2,170	2,215	2,295
Gross Payload (lb.)*	11,580	11,515	11,460	11,395	11,270
Wheelbase (in.)** WB	142.5	160.6	172.4	184.3	196.9
Cab-to-Rear Axle (in.) CA	115.6	133.7	145.5	157.3	169.9
Rear Overhang (in.) RO	59.8	69.7	74.0	79.9	88.6
Overall Length (in.) OL	248.6	276.6	292.7	310.4	331.7
Typical Body Lengths (ft.)***	14	16	18	20	22
Turning Radius (ft.)	19.0	21.3	22.6	24.0	25.6

\*Gross payload capacity equals GVWR minus chassis weight. Installation of specialized equipment or bodies may require frame reinforcement. \*\*Wheelbase selection should be based on specific weight distribution. \*\*\*Typical body lengths assume water level load (no specific consideration for driver, passengers, or fuel) to maximize GVWR. Addition of ancillary equipment such as lift gates and refrigeration units not considered in calculations.

## ENGINE

	MD-175* 16 Valve
	Turbo/Intercooled Diesel
	In-line 4 cylinder, Direct-injection
Horsepower	175 hp @ 2,700 rpm
Torque	347 lb. ft. @ 1,600 rpm
Displacement	289 in. <sup>3</sup> (4.728 L)
Cylinder Liner	Dry, replaceable
Air Compressor	14.1 CFM @ 3,000 engine rpm (nominal)
Fuel System	Electronically controlled common rail system
Air Cleaner	11 in., paper filter type (DONALDSON)
Cold Starting Aid	Automatic electric glow plug
Fan	Viscous type drive

\*MD-175 (J05D-TA) is a vendor engine manufactured for Nissan Diesel Motor Company

## FRONT AXLE

GAWR	6,830 lb.
Rated Axle Capacity	6,830 lb.
Axle Type	"I" Beam
Suspension	Semi-elliptic leaf springs
Shock Absorbers	Telescopic type



## TRANSMISSION

### STD

Nissan Diesel, MHS62A  
Manual, 6 forward  
speeds & 1 reverse  
synchromesh on 2nd  
through 6th gears

### OPTION

Aisin A45043L  
Automatic, full  
electronic 4 speed  
overdrive with lockup  
& park lock

### Ratios

1st	6.31	3.02
2nd	3.91	1.55
3rd	2.26	1.00
4th	1.39	0.70
5th	1.00	—
6th	0.79	—
Rev.	5.87	2.68
R/A Ratio	4.56 <sup>STD</sup>	4.88
Engine rpm @ 65 mph		
w/215/75R17.5	2,670	2,860
		2,990

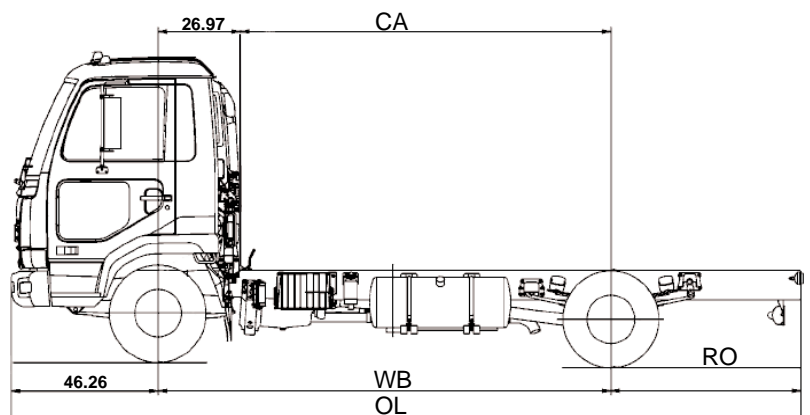
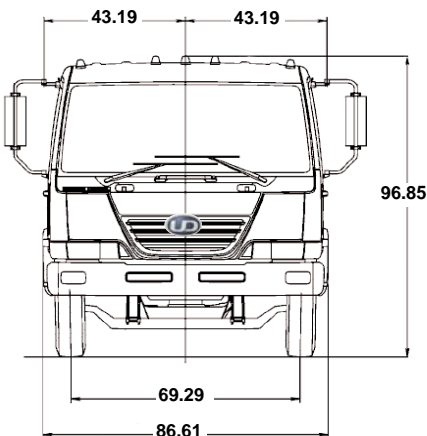
## CLUTCH

Hydraulic clutch with air assist  
12.8 in. cerametallic friction material  
Standard clutch wear indicator

## STEERING

Steering Column

Integral power steering, gear driven pump  
Tilt & telescopic type



# UD1800CS

2006 MODEL YEAR



# TRUCKS

Distributed by  
**Nissan Diesel America, Inc.**

## REAR AXLE

GAWR	13,000 lb.
Rated Axle Capacity	14,330 lb.
Axle Type	Full-floating banjo housing
Suspension	Semi-elliptic leaf springs with auxiliary springs

## WHEELS & TIRES

Tires	Front: Single, highway tread Rear: Dual, traction type 215/75R17.5 - 14PR (tubeless radial)
Wheels	Steel disc type, 6 hole, 6.00 x 17.5 in., offset 5.3 in.

## BRAKE SYSTEM

Service Brakes	Anti-lock Braking System Dual line, air-over-hydraulic brake system
Front	Internal expanding, two leading shoe, self-adjusting drum brakes Drum diameter x lining width x lining thickness: 12.60 x 4.33 x 0.47 in.
Rear	Internal expanding, dual two leading shoe, self-adjusting drum brakes Drum diameter x lining width x lining thickness: 12.60 x 5.31 x 0.47 in.
Air Tanks	Supply: 641 in. <sup>3</sup> Front service: 549 in. <sup>3</sup> Rear service: 641 in. <sup>3</sup> Total: 1,831 in. <sup>3</sup>
Air Dryer	Standard
Parking Brake	Hand brake lever activating drum at rear of transmission

## EXHAUST BRAKE

Electrically controlled, pneumatically  
activated butterfly valve in exhaust pipe

## CHASSIS FRAME

Ladder type, channel section side rails

	All Wheelbases	Hi Tensile Option F, G
Dimensions (in.) *	9.21 x 2.76 x 0.28	9.21 x 2.76 x 0.28
Assembled Width (in.)	33.9	33.9
Section Modulus (in. <sup>3</sup> ) **	18.3 (chassis)	18.3 (chassis)
Yield Strength (psi)	42,600	51,200
RBM (in.-lb.)	780,000	937,000

\*Height x Flange Width x Thickness \*\*Measured at back-of-cab, specifications  
based on complete chassis (both rails)

## FUEL TANK

Round fuel tank, mounted to left side  
Capacity - 33 gallons

## CAB

Air Conditioner	Forward control, steel construction, tilting cab. Cab suspension w/ shock absorbers
Cab Glass	Standard
Cruise Control	Windshield, tinted laminated, 2,314 in. <sup>2</sup>
Door Locks	Standard
Door Vent Window	Driver & passenger, electric control
Driver's Seat	Driver, ventilating type Height & seat back angle adjustable Cloth cover, high back type
Keyless Entry	Standard
Passenger Seat	Seat back angle adjustable, cloth cover, high back
Seat Belts	Driver & passenger, 3-point ELR type,
Rearview Mirrors	West coast type, 5.4 x 15.5 in.
Steering Column	Tilt & telescopic type
Sun Visors	Driver & passenger
Windows	Driver & passenger, electric control
Windshield Wipers	Dual, electric-driven, intermittent & 2 speed

## ELECTRICAL EQUIPMENT

Back-up lights  
Cigar lighter  
Clearance, identification &  
position lights  
Day-time running lights  
Halogen headlights, 2 lamps  
Interior and map light  
License light  
Side turn signal lights  
Stop/tail lights  
Turn signal/hazard lights

## INSTRUMENTS

### Meters & Gauges

Air pressure gauges  
Coolant temperature gauge  
Fuel gauge  
Speedometer, odometer & trip meter  
Tachometer

### Warning & Indicator Lights & Buzzers

ABS warning light  
Alternator low charge warning light  
Automatic transmission:  
- Check warning light  
- High temperature fluid warning light  
- Overdrive cancel indicator light  
Cab lock warning light & buzzer  
Engine control system warning light  
Engine glow plug indicator light  
Exhaust brake indicator light  
External air restriction indicator  
Hazard warning flasher  
High beam indicator light  
Low air pressure warning light & buzzer  
Low brake fluid level warning light  
& buzzer  
Low coolant level warning light & buzzer  
Low oil pressure warning light  
Parking brake indicator light  
Sedimentor warning light  
Service brake warning light and buzzer  
Turn signal indicator lights  
Warning lights with burnt-out bulb  
check function

## OTHER OPTIONS

AM/FM stereo radio with CD  
Block heater  
Center console/third seat  
Driver's suspension seat  
Hi tensile frame rails (F & G  
wheelbases only)

All illustrations, specifications and descriptions in this specification are based on the  
latest product information available at the time of this publication. The right is  
reserved to make changes in price, materials, equipment, design, specifications, dia-  
grams and models, and to discontinue models of equipment at any time, without  
notice and without incurring any obligation whatsoever. For more information on  
additional options and accessories, contact NISSAN DIESEL AMERICA, INC.

Manufacturer:  
NISSAN DIESEL MOTOR CO., LTD.  
Saitama, Japan

Distributor:  
NISSAN DIESEL AMERICA, INC.  
P.O. Box 152034  
Irving, Texas 75015-2034  
www.udtrucks.com