

UD1400

2006 MODEL YEAR



| WHEELBASES | A | C | E |
|-------------------------------|--------|--------|--------|
| GVWR (lb.) | 14,250 | 14,250 | 14,250 |
| Chassis Weight (lb.) | 5,475 | 5,585 | 5,655 |
| Front (lb.) | 3,735 | 3,855 | 3,935 |
| Rear (lb.) | 1,740 | 1,730 | 1,720 |
| Gross Payload (lb.)* | 8,775 | 8,665 | 8,595 |
| Wheelbase (in.)** WB | 108.9 | 131.9 | 149.4 |
| Cab-to-Rear Axle (in.) CA | 83.4 | 106.4 | 123.9 |
| Rear Overhang (in.) RO | 49.6 | 49.6 | 49.6 |
| Overall Length (in.) OL | 203.2 | 226.2 | 243.7 |
| Typical Body Lengths (ft.)*** | 10/12 | 14/16 | 16/18 |
| Turning Radius (ft.) | 17.4 | 20.7 | 23.0 |

*Gross payload capacity equals GVWR minus chassis weight. Installation of specialized equipment or bodies may require frame reinforcement. **Wheelbase selection should be based on specific weight distribution. ***Typical body lengths assume water level load (no specific consideration for driver, passengers, or fuel) to maximize GVWR. Addition of ancillary equipment such as lift gates and refrigeration units not considered in calculations.

ENGINE

MD-175* 16 valve
 Turbo/Intercooled Diesel
 In-line 4 cylinder, Direct-injection
 Horsepower 175 hp @ 2,700 rpm (automatic transmission)
 Torque 347 lb. ft. @ 1,600 rpm (automatic transmission)
 Displacement 289 in.³ (4.728 L)
 Cylinder Liner Dry, replaceable
 Fuel System Electronically controlled, common rail system
 Air Cleaner 11.0 in., dry type
 Cold Starting Aid Automatic electric glow plug
 Fan Viscous type drive

*MD-175 (J05D-TA) is a vendor engine manufactured for Nissan Diesel Motor Company

FRONT AXLE

GAWR 5,360 lb.
 Rated Axle Capacity 6,170 lb.
 Axle Type "I" Beam
 Suspension Semi-elliptic leaf springs
 Shock Absorbers Double acting, telescopic type



*UD1400 shown here with dealer installed optional equipment.

TRANSMISSION

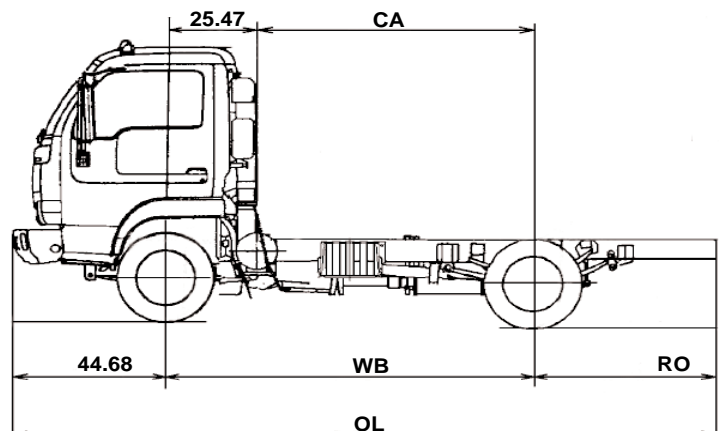
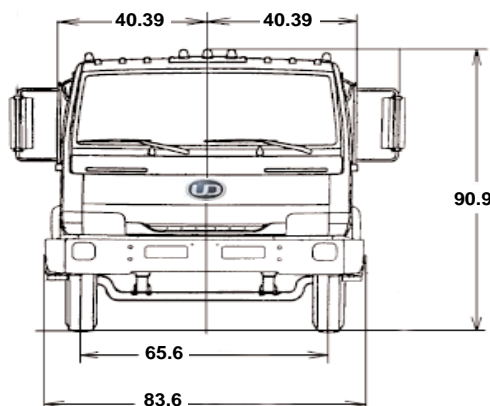
Aisin A45043L
 Automatic Full electronic control
 4 speed overdrive with lockup & park lock

Ratios

| | |
|---------------------|-------|
| 1st | 3.02 |
| 2nd | 1.55 |
| 3rd | 1.00 |
| 4th | 0.70 |
| Rev. | 2.68 |
| R/A Ratio | 5.29 |
| Engine rpm @ 65 mph | 2,750 |

STEERING

Integral power steering
 Steering Column Tilt & telescopic type



UD1400

2006 MODEL YEAR



TRUCKS

Distributed by
Nissan Diesel America, Inc.

REAR AXLE

| | |
|---------------------|---|
| GAWR | 9,880 lb. |
| Rated Axle Capacity | 11,500 lb. |
| Axle Type | Full-floating banjo housing |
| Suspension | Semi-elliptic leaf springs with auxiliary springs |

WHEELS & TIRES

| | |
|--------|---|
| Tires | Front: Single, highway tread Rear: Dual, traction type 215/85R16 - 10PR (tubeless radial) |
| Wheels | Steel disc type, 6 hole, 6 x 16 in., offset 5.0 in. |

BRAKE SYSTEM

| | |
|----------------|---|
| Service Brakes | Anti-lock Braking System Dual line, hydraulic brake system with vacuum assist |
| Front | Ventilated disc brakes |
| Rear | Internal expanding, dual two leading shoe, self-adjusting drum brakes |
| Parking Brake | Hand brake lever activating drum at rear of transmission |

EXHAUST BRAKE

Electrically controlled, vacuum activated
butterfly valve in exhaust pipe

CHASSIS FRAME

Ladder type, channel section side rails

| | |
|---------------------------------------|--------------------|
| Dimensions (in.)* | 7.09 x 2.36 x 0.18 |
| Assembled Width (in.) | 29.5 |
| Section Modulus (in. ³)** | 6.29 |
| Yield Strength (psi) | 44,000 |
| RBM (in.-lb.)** | 554,000 |

Rear Inner Reinforcement STD on A & E Wheelbase

*Height x Flange Width x Thickness **Measured at back-of-cab, specifications based on complete chassis (both rails)

FUEL TANK

Round fuel tank, mounted to right side
Capacity - 33 gallons

CAB

| | |
|-------------------|---|
| | Forward control, steel welded construction, tiling cab with cab suspension |
| Air Conditioner | Standard |
| Assist Handles | Two, driver & passenger |
| Cab Glass | Windshield, tinted laminated glass - 1900 in. ² |
| Center Console | Standard |
| Center Seat | Folding with center console |
| Door Locks | Driver & passenger, electric control |
| Driver's Seat | Fore/aft and seat back angle adjustable cloth cover with headrest |
| Keyless Entry | Standard |
| Passenger Seat | Fixed with headrest |
| Seat Belts | Driver & passenger, 3-point ELR type, center seat w/2-point lap belt |
| Rearview Mirrors | West coast type |
| Steering Column | Tilt & telescopic type |
| Sun Visors | Driver & passenger |
| Windows | Driver & passenger, electric control |
| Windshield Wipers | Dual, electric-driven, intermittent & 2 speed |

ELECTRICAL EQUIPMENT

Back-up lights
Cigar lighter
Clearance, identification & side
marker lights
Day-time running lights
Halogen headlights, 2 lamps
Interior light
License light
Side turn signal lights
Stop/tail lights
Turn signal/hazard lights

INSTRUMENTS

Meters & Gauges

Coolant temperature gauge
Fuel gauge
Speedometer, odometer & trip meter
Tachometer

Warning & Indicator Lights & Buzzer

ABS warning light
Alternator low charge warning light
Automatic transmission:
- Check warning light
- High temperature fluid warning light
- Overdrive cancel indicator light
Brake low vacuum warning light
Engine control system warning light
Engine glow plug indicator light
Exhaust brake indicator light
Hazard warning flasher
High beam indicator light
Low oil pressure warning light
Low brake fluid level warning light
Low coolant level light & buzzer
Parking brake indicator light
Sedimentor warning light
Turn signal indicator lights
Warning lights with burn-out bulb
check function

OTHER OPTIONS

AM/FM stereo radio with CD
Block heater

All illustrations, specifications and descriptions in this specification are based on the latest product information available at the time of this publication. The right is reserved to make changes in price, materials, equipment, design, specifications, diagrams and models, and to discontinue models of equipment at any time, without notice and without incurring any obligation whatsoever. For more information on additional options and accessories, contact NISSAN DIESEL AMERICA, INC.

Manufacturer:
NISSAN DIESEL MOTOR CO., LTD.
Saitama, Japan

Distributor:
NISSAN DIESEL AMERICA, INC.
P.O. Box 152034
Irving, Texas 75015-2034
www.udtrucks.com